

767-SK/III LOW TEMPERATURE SMOKER OVEN



• HALO HEAT . . . a controlled, uniform heat source that maintains close temperature tolerances throughout the cooking and holding function. Offers uniform and consistent cooking on a daily basis, low shrinkage of bulk or portion-cut protein items, higher food moisture content, and significantly longer holding life.



- Cooks, roasts, re-heats, smokes and holds in the same cabinet with set-and-forget controls to provide a better distribution of work loads.
- Smokes with real wood chips — no pressure cooking, no artificial smoke flavor.
- Smoke timer offers a choice of mild, medium, or heavy smoke flavor.
- Cold smokes fish and cheese.
- Cooks by time or by probe to sense internal product temperature and automatically converts from cook mode to hold mode once the set parameters have been reached.
- Eight programmable menu buttons store favorite recipes into memory (COOK/HOLD/TIME/PROBE SET-POINTS). Reduces operational requirements to simply loading the oven, pushing the power button, the preset menu button, and start.
- When cooking by probe, the oven maintains a record of the highest and lowest temperatures sensed by the food probe to assure foods are cooked to the temperature required.
- Oven includes the patented SureTemp™ heat recovery system to assure immediate compensation for any heat loss whenever the door is opened and provides an audible reminder if the door has been left open for more than three minutes.
- Antimicrobial handle retards the growth of illness-causing pathogens.

Single compartment oven with 20 gauge stainless steel exterior. Door includes a magnetic door latch. Oven interior includes two (2) completely removable, non-magnetic stainless steel side racks with eleven (11) pan positions spaced on 1-3/8" (35mm) centers, two (2) stainless steel wire shelves, one (1) stainless steel Rib Rack, a removable stainless steel drip pan with drain and a wood chip container. Oven is furnished with an exterior, front mounted stainless steel drip tray and one (1) sample bag each of cherry, hickory, apple & maple wood chips. Oven includes one (1) set of 3-1/2" (89mm) casters — 2 rigid, and 2 swivel with brake.

Deluxe control includes a 4 digit L.E.D. display, ON/OFF key, cook temperature key with an adjustable cook range from 200°F to 325°F (93°C to 162°C); cook time control key with set-points from 1 minute to 24 hours; smoke time control key with set-points from 1 minute to 1 hour; probe control key with adjustable set-points between 50°F and 195°F (10°C to 91°C); and hold temperature key with an adjustable hold range from 60°F to 205°F (15°C to 96°C). Control includes eight (8) programmable menu keys with locking capability along with the ability to set individual cook and hold parameters; hold mode count-up timer, indicator lights for operation status; and start key. The control has a built-in lock out feature and is equipped with a voltage conversion feature to match the line voltage provided by the electric power supplier.

MODEL 767-SK/III: Low temperature smoker oven with Deluxe control.

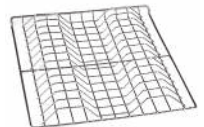
FACTORY INSTALLED OPTIONS

- Door Choices
 - Solid Door, standard
 - Window Door, optional
- Door Swing Choices
 - Right-hand swing, standard
 - Left-hand swing, optional
- Voltage Choices:
 - 208-240V
 - 230V
- Exterior Panel Color Choices:
 - Stainless steel, standard
 - Burgundy, optional
 - Custom, optional
- Cooking thermostat limit set at 250°F for restricted areas of the U.S.A.
 - Specify on order as required.

- HACCP Documentation, Data Logger [5015563]
 - On board Datalogger technology maintains accurate and timely recordkeeping
 - Register start time and end time
 - Register start temperature and end temperature
 - Interim time and temperature reporting is captured at 5 minute intervals
 - USB downloads facilitate record keeping on department management PC's
 - Electronic HACCP record keeping can be imported into Excel or other similar software for use in report writing and charting
 - Controller will retain the latest information for 30 days
 - Will record the product preset name (A-H) if a preset is used.

ADDITIONAL FEATURES

- Rib Rack Shelf • Item SH-2743**
Special non-magnetic stainless steel wire shelf designed to hold ribs or fish in an upright position for more even smoking. Each shelf will hold thirteen full ribs. One (1) Rib Rack Shelf is furnished with each smoker. Additional racks are available as an option. Total oven capacity: Two (2) Rib Rack Shelves.
- **Stackable Design**
767-SK/III can be stacked with an identical oven, 750-TH/III Cook & Hold oven or 750-S Holding Cabinet. Order appropriate stacking hardware.



**Lifetime
Warranty**

On all Cook & Hold heating elements (EXCLUDES LABOR).



ANSI/NSF 4



IP X3



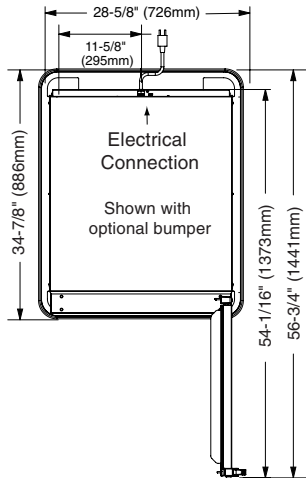
W164 N9221 Water Street • P.O. Box 450 • Menomonee Falls, Wisconsin 53052-0450 • U.S.A.

PHONE: 262.251.3800 800.558.8744 U.S.A./CANADA

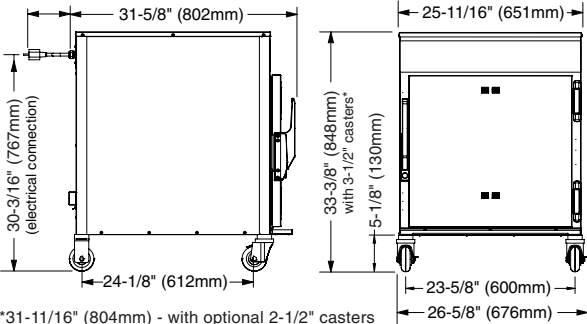
FAX: 262.251.7067 800.329.8744 U.S.A. ONLY

www.alto-shaam.com








Cord Length
230V - 8 ft. (2438mm)
208-240V - 6 ft. (1829mm)



*31-11/16" (804mm) - with optional 2-1/2" casters
*35-1/16" (890mm) - with optional 5" casters
*33-13/16" (858mm) - with optional 6" legs

DIMENSIONS: H x W x D	
EXTERIOR:	33-3/8" x 26-5/8" x 31-5/8" (848mm x 676mm x 802mm)
INTERIOR:	20-1/16" x 22" x 26-1/2" (510mm x 559mm x 673mm)

ELECTRICAL					
VOLTAGE	PHASE	CYCLE/HZ	AMPS	kW	CORD & PLUG
208	1	60	16.0	3.9	CORD,
240	1	60	18.5	4.4	NO PLUG
230	1	50/60	14.0	3.1	 CEE 7/7  CH2-16P  BS 1363 (U.K. ONLY) PLUG RATED 250V

PRODUCT\PAN CAPACITY	
100 lb (45 kg) MAXIMUM	
VOLUME MAXIMUM: 53 QUARTS (67 LITERS)	
FULL-SIZE PANS: GASTRONORM 1/1:	
Nine (9)	20" x 12" x 2-1/2" (530mm x 325mm x 65mm)
Seven (7)	20" x 12" x 4" (530mm x 325mm x 100mm)
FULL-SIZE SHEET PANS:	
Up to Five (5)* 18" x 26" x 1" on wire shelves only	
*ADDITIONAL SHELVES REQUIRED	

CLEARANCE REQUIREMENTS	
18" (457mm) minimum clearance at the back from heat producing equipment. To protect the electronic control, maintain sufficient side clearance to prevent the control area from reaching any temperature at or above 140°F (60°C).	
WEIGHT	
NET: 190 lb (86 kg)	SHIP: 283 lb (128 kg)
CARTON DIMENSIONS: (L x W x H)	
35" x 35" x 41" (889mm x 889mm x 1041mm)	

INSTALLATION REQUIREMENTS	
— Oven must be installed level.	
— The oven must not be installed in any area where it may be affected by steam, grease, dripping water, extreme temperatures, or any other severely adverse conditions.	
— Appliances with casters and no cord or plug must be secured to the building structure with a flexible connector. NOT FACTORY SUPPLIED.	

OPTIONS & ACCESSORIES					
<input type="checkbox"/>	Bumper, Full Perimeter (NOT AVAILABLE WITH 2-1/2" CASTERS)	5010371	<input type="checkbox"/>	Pan Grid, Wire - 18" x 26" PAN INSERT	PN-2115
<input type="checkbox"/>	Carving Holder, Prime Rib	HL-2635	<input type="checkbox"/>	Security Panel w/ Key Lock	5013936
<input type="checkbox"/>	Carving Holder, Steamship (Cafeteria) Round	4459	<input type="checkbox"/>	Shelf, Stainless Steel, Flat Wire	SH-2324
Casters, Stem - 2 RIGID, 2 SWIVEL W/BRAKE			<input type="checkbox"/>	Shelf, Stainless Steel, Rib Rack	SH-2743
<input type="checkbox"/>	5" (127mm)	5004862	<input type="checkbox"/>	Stacking Hardware	5004864
<input type="checkbox"/>	2-1/2" (64mm)	5008022	Wood Chips bulk pack - 20 lb (9 kg)		
<input type="checkbox"/>	Door Lock with Key	LK-22567	<input type="checkbox"/>	Apple	WC-22543
<input type="checkbox"/>	Drip Pan with Drain	14831	<input type="checkbox"/>	Cherry	WC-22541
<input type="checkbox"/>	Legs, 6" (152mm), Flanged (SET OF FOUR)	5011149	<input type="checkbox"/>	Hickory	WC-2829
			<input type="checkbox"/>	Maple	WC-22545