

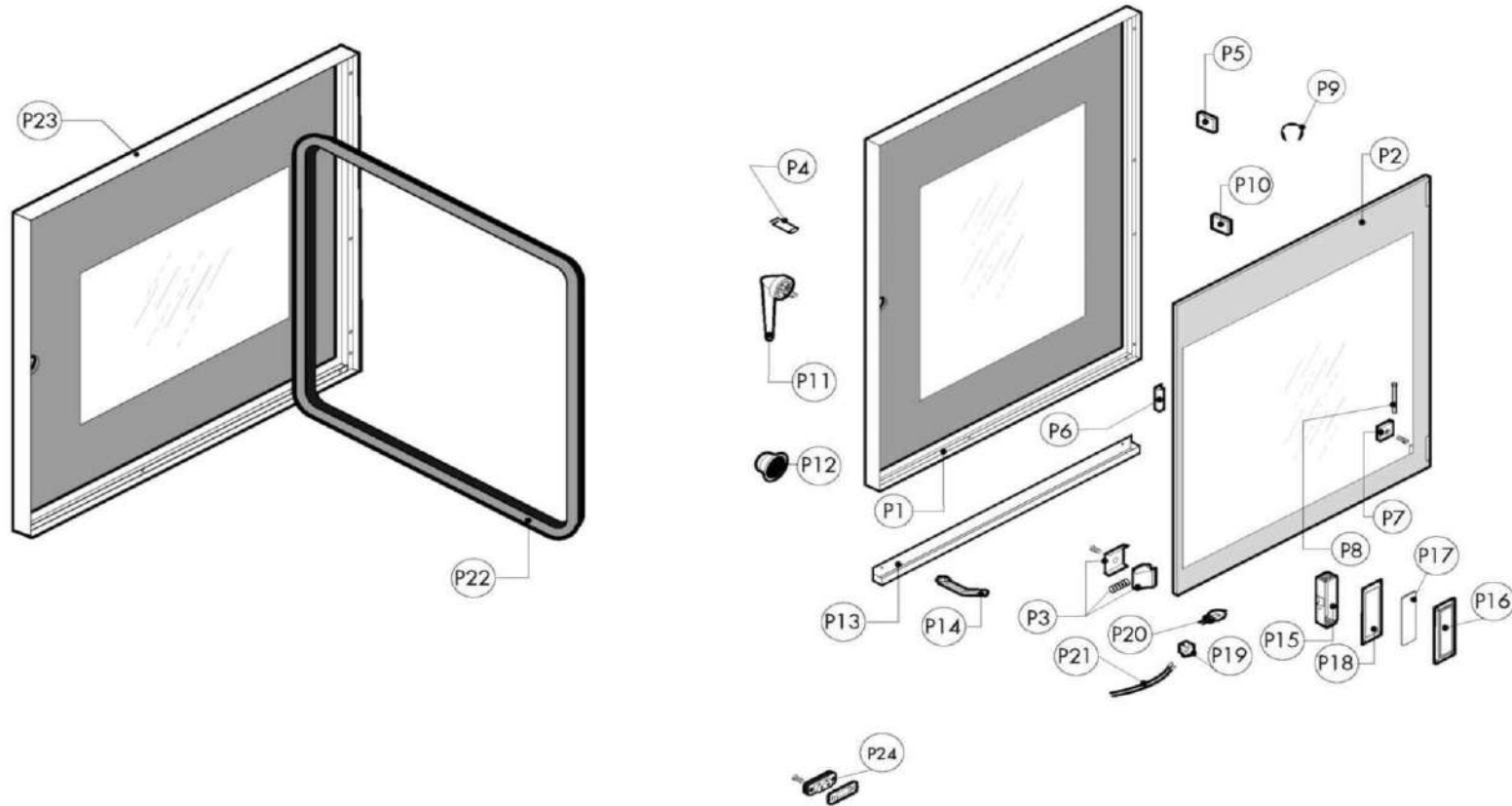
Warning! The exploded views refer to the general model

TAV.A ed.0216

Pos.	Code	Previous code	Description	Notes	From:	To:	Price ()
0002	LA70010370	LAR70010370	GASKET [C]				
0003	LA11207240	LAR11207240	LOWER HINGE KIT [C] M-V/061-101-102 2005				
0004	LAR10201710		FILTER [C] D.86/44.5 M/210-12				
0005	LAR69180240		DRAIN CONTAINER [C] N/S072-102 2014				
0006	LA14402130	LAR14402130	HINGE [C]				
0007	LA65190040	LAR65190040	CONDENSER [C] 20ÅµF V425-B 40x70				
0008	LA65240040	LAR65240040	LOCK NUT [C] FOR CONNECTION 107 Z/29				
0009	LA58003850	LAR58003850	COUNTER FLANGE [C] LARGE				
0010	LA62280038	LAR62280038	CURVE [C] D.50 D.50X				
0011	LAR58006900		DADO INOX 11/2				
0012	LA58004050	LAR58004050	NUT [C] FOR HINGE PIN M/106-220				
0013	LA58000360	LAR58000360	NUT [C] FOR HINGE PIN N/S 2014				
0015	LAR65110330		DOUBLE SOLENOID VALVE 2 WAYS 230V 50/60HZ OUT J.G. D.10				
0016	LA61630011	LAR61630011	ZINC CLAMP [C] 12-22/9				
0017	LAR61630031		ZINC CLAMP [C] 40-60/9				
0018	LAR65280490		FERRITE [C] FT36				
0019	LA65280230	LAR65280230	FILTER [C]				
0020	LA69180250	LAR69180250	FILTER [C] BASIN DRAINAGE				
0021	LA58003840	LAR58003840	FLANGE [C]				
0022	LA62080093	LAR62080093	JOINT [C] MF 1				
0023	LAR58000400		GHIERA INOX 11/2X10 SEDE O-RING				
0024	LA70020050	LAR70020050	GASKET [C]				
0025	LA70050140	LAR70050140	GASKET [C] BOILER CAP				
0026	LA70050150	LAR70050150	GASKET [C] BOILER CAP				
0027	LAR70010180		GUARNIZIONE OR 52x3 VITON 70SH				
0028	LA70010030	LAR70010030	GASKET [C] 6,07X1,78				
0029	LA70010210	LAR70010210	GASKET [C] 18,72X2,62				
0030	LA70010150	LAR70010150	GASKET [C] 55X35X3				
0031	LA70030190	LAR70010120	GASKET [C] 90X90X3				
0032	LAR65140980		KIT INV.X TELER.4KW 3RA2913-2AA1				
0033	LAR70060080		COUPLING [C] D. 13X18X80				
0034	LA70060050	LAR70060050	COUPLING [C] D. 60				
0035	LA75300070	LAR75300070	PLATE [C] FAN D.350 N/S101 2014				
0036	LAR65265100		MICROSWITCH [C]				
0037	LA65220280	LAR65220280	TERMINAL BOARD [C]				

Pos.	Code	Previous code	Description	Notes	From:	To:	Price ()
0038	LAR65040550		MOTOR [C] 200/440V 0,55KW F1 4P				
0039	LA69010260	LAR69010260	PRONG [C]				
0039	LAR69010270		PRONG [C]				
0041	LAR62020053		NIPPLE [C] 1/2				
0042	LA63060160	LAR63060160	IGNITION PANEL [C] Ts=5 Tps=1				
0043	LA58000370	LAR58000370	PIVOT HINGE				
0044	LA58003140	LAR58003140	PIN [C]				
0045	LAR58003110		PIN [C]				
0046	LA58002670	LAR58002670	PIN [C] HINGE SR.2005				
0047	LA65210020	LAR65210020	FUSE CARRIER [C] 5X20				
0048	LAR65240010		FAIRLEAD [C] PG 107 Z/1				
0048	SIR0101302		PRESSACAVO	UL Version (USA-CAN)			
0049	LA63070010	LAR63070010	PRESSURE SWITCH [C]				
0050	LAR65095000	LAR65090220	MOTOR [C] VENTING				
0051	LA62090928	LAR62090928	CONNECTOR [C]				
0052	LA62090458	LAR62090458	CONNECTOR [C] D.10				
0053	LA62090478	LAR62090478	CONNECTOR [C] D.10				
0054	LA62090633	LAR62090633	CONNECTOR [C] 10/10				
0055	LA62090528	LAR62090528	CONNECTOR [C] 10X10				
0056	LA65110530	LAR65110530	REGULATOR [C] 2LT/1'				
0057	LA58004010	LAR58004010	WASHER [C] D. 30/12,5				
0058	LAR69180110		BOX [C]				
0059	LAR65320220		PROBE [C] K 6X80 1,5ML				
0060	LAR69180340		DOOR [C]				
0061	LAR58006690		CAP [C] SERIE 2014				
0062	LA65321370	LAR65321370	CAP [C] SA 2014				
0063	LAR69150110		CAP [C]				
0064	LA69150100	LAR69150100	CAP [C]				
0065	LAR62090213		PIPE [C]				
0066	LA65140900		SWITCH [C]				
0067	LAR65160850		TERM.MOT.3RU2116-1EB0 2,8-4,0				
0068	LA65070380	LAR65070380	THERMOSTAT [C] 150Å°C	UL Version (USA-CAN)			
0068	LAR65070081		THERMOSTAT [C] BOILER				
0069	LA65070350	LAR65070350	THERMOSTAT [C] 360Å°C				
0069	LA65070370	LAR65070370	THERMOSTAT [C] 360Å°C	UL Version (USA-CAN)			
0070	LA65180420	LAR65180420	TRANSFORMER [C] 20VA				

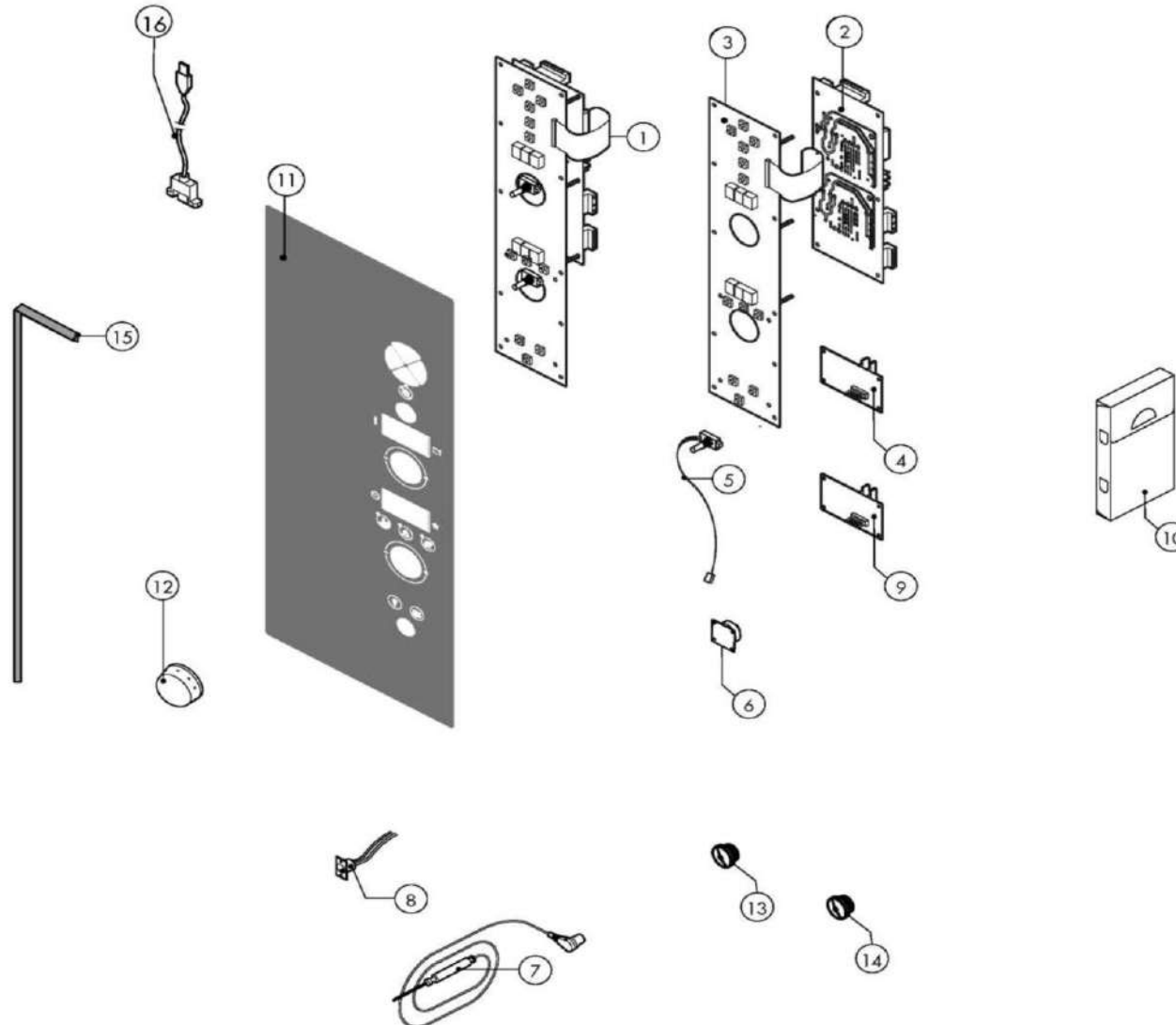
Pos.	Code	Previous code	Description	Notes	From:	To:	Price ()
0071	LA65180430	LAR65180430	TRANSFORMER [C] 40VA				
0071	LA65187110	LAR65187110	TRANSFORMER [C] 40VA	UL Version (USA-CAN)			
0072	LA80150000	LAR80150000	PIPE [C]				
0073	LA80150060	LAR80150060	PIPE [C]				
0074	LA80120060	LAR80120060	PIPE [C]				
0075	LA58006160	LAR58006160	NOZZLE [C] D. 0,80				
0076	LAR65110571		VALVE [C] 230V				
0077	LA65060050	LAR65060050	FAN [R] D. 120				
0078	LA75400440	LAR75400440	FAN [C] D. 350X114 50HZ	50Hz			
0078	LA75400471	LAR75400471	FAN [C] D. 350X114 60HZ	60Hz			
0079	LA58004000	LAR58004000	SCREW [C] M12X1.5				
0080	LA61020562	LAR61020562	SCREW [C] M6X55 UNI 5737				
0081	LAR61260152		VITE				
014A	LAR65110320		SOLENOID VALVE [C] 230V 50/60HZ 1 WAY OUT J.G. D.10				



Warning! The exploded views refer to the general model

TAV.B ed.0216

Pos.	Code	Previous code	Description	Notes	From:	To:	Price ()
00P1	LAR14203840B		PORTA ESTERNA LB/LV_102				
00P2	LAR71202240		GLASS PLATE [C] N/S102 2014 734x810x6				
00P3	LAR58001780		CATCH [C] DOOR P2000				
00P4	LA61620132	LAR61620132	SPRING [C]				
00P5	LAR11420660		FLANGE [C]				
00P6	LA11423460	LAR11423460	PROTECTION [C] DOOR GLASS K E T 2011				
00P7	LA58001760	LAR58001760	HINGE [C] GLASS SR2000				
00P8	LA58001770	LAR58001770	PIN [C]				
00P9	LA61600031	LAR61600031	GASKET [C] D.3,2 UNI 7434				
0P10	LAR70050180		SPACER [C] GLASS 15x8 M4x12 A2				
0P11	LA69010440	LAR69010440	LOCK [C] 6303 2011				
0P12	LAR69010630		COVERING [C] GROUP 6303				
0P13	LAR69180230		DOOR CONTAINER [C] N/S072-102 2014				
0P14	LA69180010	LAR69180010	DRAIN [C]				
0P15	LA11401440	LAR11401440	LAMP COVER [C]				
0P16	LA11401450	LAR11401450	FLANGE [C]				
0P17	LA71500150	LAR71500150	GLASS PLATE [C] P2000				
0P18	LA70044200	LAR70044200	GASKET [C]				
0P19	LA65270450	LAR65270450	LAMP HOLDER [C]				
0P20	LA65270020	LAR65270020	BULB [C] 12V 20W G4				
0P21	LA66110310	LAR66110310	DOOR LIGHTS CABLE SET [C] M-V/061				
0P22	LA70044882	LAR70044880	GASKET [C] DOOR K_102 2016				
0P23	LAR14172250		PORTA COMPLETA LEO LB/LV_102 PORTA COMPLETA LEO LB/LV_102				
0P24	LAR65260752		CONTACT [C] LIGHTS SR.2014				



Warning! The exploded views refer to the general model

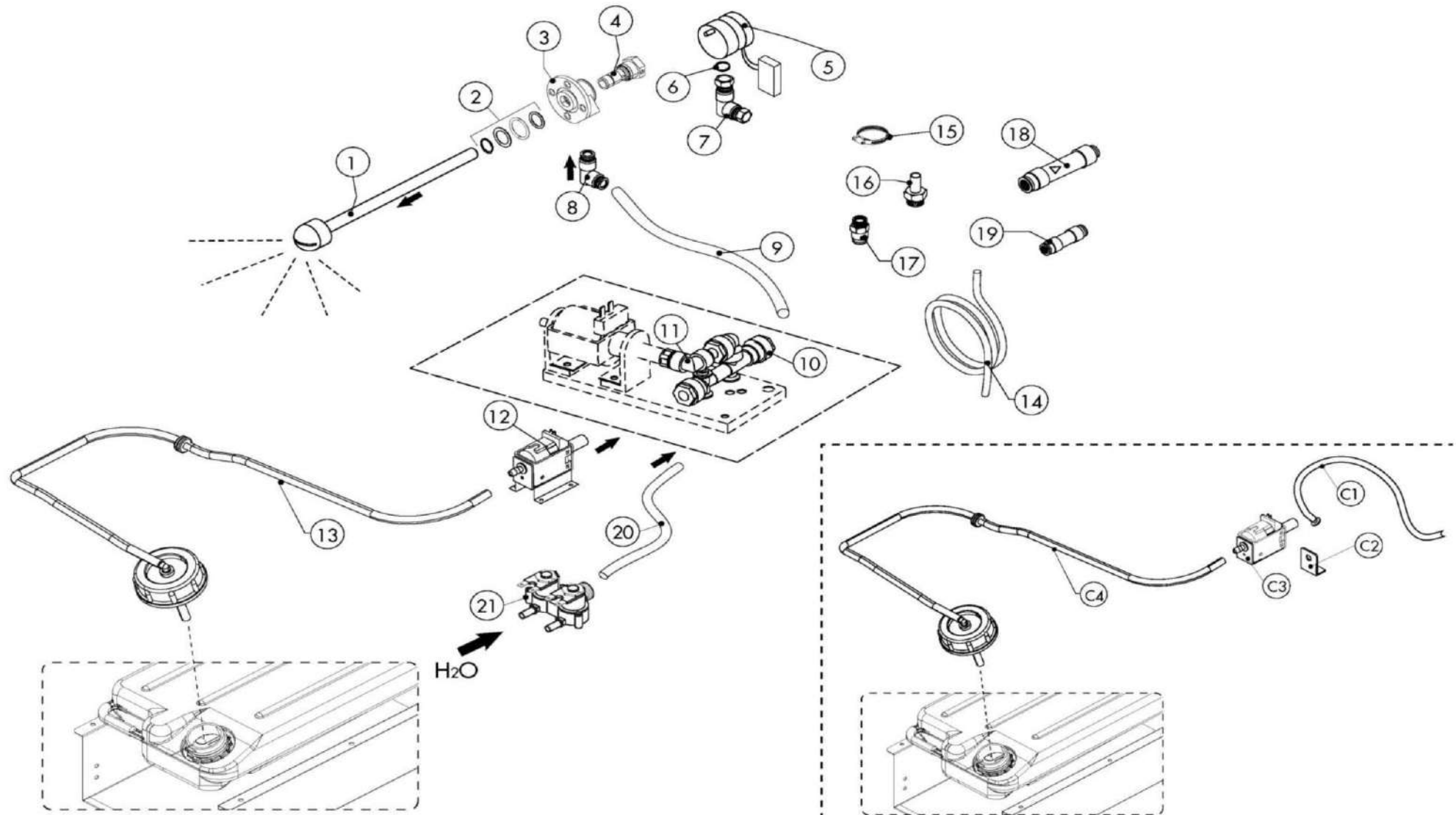
TAV.C ed.0216

Pos.	Code	Previous code	Description	Notes	From:	To:	Price ()
0001	LAR65302110		BOARD [C] S 2009 + EXPANSION				
0002	LA65302250	LAR65302250	BOARD [C] S 2009				
0003	LA65302240	LAR65302240	KEYBOARD [C] S 2009				
0004	LA65302260	LAR65302260	EXPANSION BOAD [C] S 2009				
0005	LA65301941	LAR65301940	ENCODER [C] S COMPACT 2009 SANDWICH				
0006	LA65302450	LAR65301960	BOARD [C] BUZZER S				
0007	LA65321102	LAR65321100	PROBE [C] K 4P 6 PIN IMP.2012				
0008	LA65321360	LAR65321360	CONNECTOR [C] L1000 FEMALE TO CORE PROBE 6 PINS				
0009	LA65301950	LAR65301950	EXPANSION BOAD [C] BURNER X 2006				
0010	LAR86020400		VALIGETTA X SONDA AL CUORE TRASPARENTE				
0012	LA69030260	LAR69030260	KNOB [C] ENCODE D.42				
0012	LA69030370	LAR69030370	MANOPOLA ENCODER D.60				
0013	LA65321310	LAR65321310	CAP [C]				
0014	LA65321330	LAR65321330	CAP [C] N/S 2014				
0015	LAR80100100		PROFILE [C]				
0016	LA65302600	LAR65302600	CABLE [C] CARD SWITCH CONNECTION USB 90Å° L=850				

Pos.	Code	Previous code	Description	Notes	From:	To:	Price ()
0001	LAR65302110		BOARD [C] S 2009 + EXPANSION				
0002	LA65302250	LAR65302250	BOARD [C] S 2009				
0003	LA65302240	LAR65302240	KEYBOARD [C] S 2009				
0004	LA65302260	LAR65302260	EXPANSION BOAD [C] S 2009				
0005	LA65301941	LAR65301940	ENCODER [C] S COMPACT 2009 SANDWICH				
0006	LA65302450	LAR65301960	BOARD [C] BUZZER S				
0007	LA65321102	LAR65321100	PROBE [C] K 4P 6 PIN IMP.2012				
0008	LA65321360	LAR65321360	CONNECTOR [C] L1000 FEMALE TO CORE PROBE 6 PINS				
0009	LA65301950	LAR65301950	EXPANSION BOAD [C] BURNER X 2006				
0010	LAR86020400		VALIGETTA X SONDA AL CUORE TRASPARENTE				
0012	LA69030260	LAR69030260	KNOB [C] ENCODE D.42				
0012	LA69030370	LAR69030370	MANOPOLA ENCODER D.60				
0013	LA65321310	LAR65321310	CAP [C]				
0014	LA65321330	LAR65321330	CAP [C] N/S 2014				
0015	LAR80100100		PROFILE [C]				
0016	LA65302600	LAR65302600	CABLE [C] CARD SWITCH CONNECTION USB 90Å° L=850				

Pos.	Code	Previous code	Description	Notes	From:	To:	Price ()
0001	LAR11207111		BOILER [C] KMG102				
0002	LAR11207190		BURNER [C] COMBUSTION CHAMBER KMG072-102				
0003	LAR11209430		ASS.COLETTORE TESTATA BRUC.BOILER KMG102 ASS.COLETTORE TESTATA BRUC.BOILER KMG102				
0004	LAR11207080		EXCHANGER [C] K_G102				
0005	LAR11209440		HEAD [C]				
0007	LAR63050130		IGNITOR [C] A/SMÄ, 9.5 KA1Ä, 3 145/95 90Ä°06				
0008	LAR66605811		CABLE [C] L850 ING/DET CHAMBER- BOILER 2 CABLES				
0009	LAR66605921		CABLE [C] L400 IGNITION CHAMBER- BOILER 2 CABLES				
0010	LA66605150	LAR66605150	CABLE [C] 90Ä° D.6,3 L=500				
0011	LA66605130	LAR66605130	CABLE [C] 90Ä° D.6,3 L=950				
0012	LAR62280078		CURVE [C] HTB DN50 87,5Ä°				
0013	LA11430340	LAR11430340	ORIFICE [C] FAN/BURNER D.22				
0014	LA58004200	LAR58004200	ORIFICE [C] D4.5 MM				
0015	LA62180132	LAR62180132	INOX FLEXIBLE PIPE [C] L. 50CM				
0016	LA63140060	LAR63140060	GASKET [C] BURNER 18-27 KW				
0017	LA63140010	LAR63140010	GASKET [C] BOILER VM-G/061				
0018	LA63140050	LAR63140050	GASKET [C]				
0019	LA63140080	LAR63140080	GASKET [C] BURNER De.126 18-27kW				
0020	LAR63080050		FLANGE [C]				
0021	LA70050090	LAR70050090	GASKET [C]				
0022	LA70060121	LAR70060121	COUPLING [C] D. EXT 45.4 D. INT 35				
0023	LA62090763	LAR62090763	.				
0025	LA65320010	LAR65320010	PROBE [C] LEVEL TL 10/B				
0026	LA65324550	LAR65324550	PROBE [C] LEVEL CALOUT TL 10/B EL=20 TF=15				
0027	LA65180270	LAR65180270	TRANSFORMER [C] TRK2-30PVD				
0028	LAR77700056		PIPE [C] D. 30				
0029	LAR63020170		VALVE [C] GAS				
0030	LA65060360	LAR65060360	FAN [C] RG128/1300				
0031	LAR63120040		VENTURI X VALV.GAS.BRUC.PREMIX45900444-0 VENTURI X VALV.GAS.BRUC.PREMIX45900444-0				
0032	LA62070023	LAR62070023	BICONE [C] D. 6				

Pos.	Code	Previous code	Description	Notes	From:	To:	Price ()
0033	LAR62060213		DADO CON BICONO D. 6 0958031.				
0034	LA62060223	LAR62060223	NUT [C] D. 6				
0035	LAR63080040		FLANGE [C]				



Warning! The exploded views refer to the general model

TAV.E ed.0216

Pos.	Code	Previous code	Description	Notes	From:	To:	Price ()
0001	LAR58007420	LAR58007040	WASHING HEAD [C] L=115(071/T07)				
0002	LAR70045120		GASKET [C]				
0003	LAR58007020		FLANGE [C]				
0004	LAR58007000		PIN [C]				
0005	LA65090260	LAR65090260	GEARMOTOR [C]				
0006	LA70010080	LAR70010080	GASKET [C] OR 14x2 VITON DIN 981				
0007	LA62090633	LAR62090633	CONNECTOR [C] 10/10				
0008	LA62090663	LAR62090663	CONNECTOR [C] 10X1/4				
0009	LA80150000	LAR80150000	PIPE [C]				
0010	LA62090888	LAR62090888	MANIFOLD [C] 3WAYS-2D.10+1D.8+3 NO RETURN CONTROL				
0011	LA62090498	LAR62090498	CONNECTOR [C] D.8				
0012	LAR65110600		PUMP [C]				
0014	LA80150040	LAR70070080	PIPE [C]				
0015	LA61630121	LAR61630121	ZINC CLAMP [C] WITH SPRING D.13,7MM				
0016	LA62090518	LAR62090518	CONNECTOR [C] 10X1/4				
0017	LAR62090508		CONNECTOR [C]				
0018	LA65110690	LAR65110690	CONNECTOR [C] 3/4F+JG10				
0019	LA62090878	LAR62090878	CONNECTOR [C] D.8				
0020	LA80120060	LAR80120060	PIPE [C]				
0021	LAR65110330		DOUBLE SOLENOID VALVE 2 WAYS 230V 50/60HZ OUT J.G. D.10				
00C1	LA11429630	LAR11429630	PIPE [C]				
00C3	LAR65110620		PUMP [C] 230V 50HZ				
00C4	LAR14171840		TUBO DECALCIFIC.TANICA N/S072-102 COMPL.				