

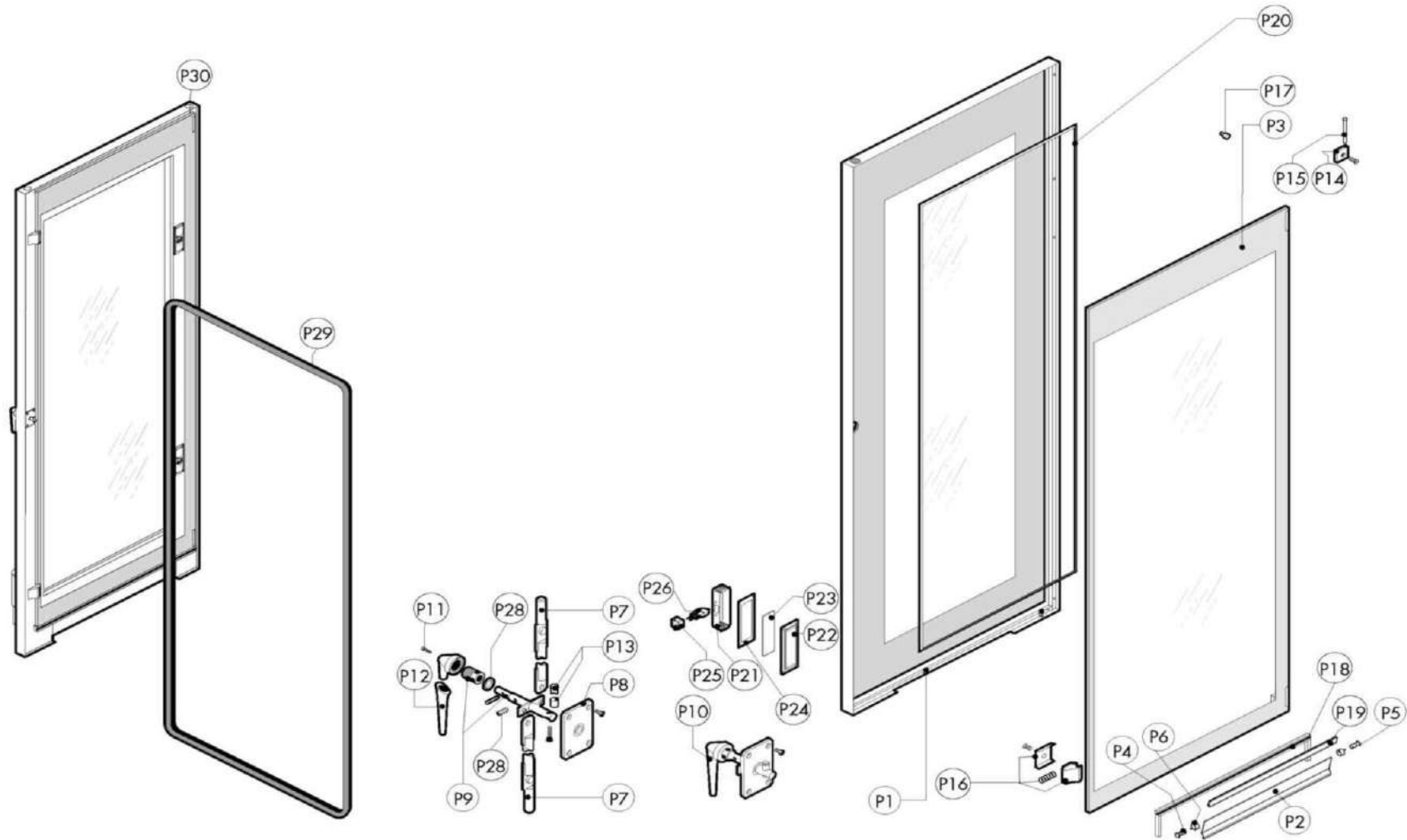
Warning! The exploded views refer to the general model

TAV.A ed.0216

Pos.	Code	Previous code	Description	Notes	From:	To:	Price ()
0002	LA70010370	LAR70010370	GASKET [C]				
0003	LAR11205390		LOWER HINGE KIT [C] M-V/201-202				
0004	LAR10201710		FILTER [C] D.86/44.5 M/210-12				
0005	LA11426830	LAR11401410	UPPER HINGE [C] DOOR SR.2013				
0006	LAR58002540		KEY [C] FOR PIN DOOR M-V/120-22				
0007	LAR65260752		CONTACT [C] LIGHTS SR.2014				
0008	LA65240020	LAR65240020	LOCK NUT [C] PG 116/16/NY				
0009	LA58003850	LAR58003850	COUNTER FLANGE [C] LARGE				
0010	LA62280038	LAR62280038	CURVE [C] D.50 D.50X				
0011	LAR58006900		DADO INOX 11/2				
0012	LA58004050	LAR58004050	NUT [C] FOR HINGE PIN M/106-220				
0013	LAR65110280		SOLENOID VALVE [C] 220V 50HZ 3 WAYS				
0014	LA61630011	LAR61630011	ZINC CLAMP [C] 12-22/9				
0015	LAR61630031		ZINC CLAMP [C] 40-60/9				
0016	LA65280480	LAR65280480	FERRITE [C] FT25				
0017	LAR65280490		FERRITE [C] FT36				
0018	LA65280240	LAR65280240	FILTER [C]				
0019	LA63080030	LAR63080030	FLANGE [C]				
0020	LA58003840	LAR58003840	FLANGE [C]				
0021	LA62180182	LAR62180182	INOX FLEXIBLE PIPE [C] L. 10-20CM				
0022	LAR58000400		GHIERA INOX 11/2X10 SEDE O-RING				
0023	LA70030060	LAR70030060	GASKET [C] D. 30X24				
0024	LA70020050	LAR70020050	GASKET [C]				
0025	LA70010030	LAR70010030	GASKET [C] 6,07X1,78				
0026	LA70050140	LAR70050140	GASKET [C] BOILER CAP				
0027	LA70010210	LAR70010210	GASKET [C] 18,72X2,62				
0028	LA70045010	LAR70045010	GASKET [C] BOILER HEATING ELEMENT				
0029	LA70030190	LAR70010120	GASKET [C] 90X90X3				
0030	LAR70010180		GUARNIZIONE OR 52x3 VITON 70SH				
0031	LA65450210		INDUCTOR [C] 27 mH 8A				
0032	LAR65140090		INVERTER [C] 0,8KW	UL Version (USA-CAN)			
0032	LAR65140890		INVERTER [C] 0,8KW				
0033	LAR62090713		MANICOTTO FF 3/4-1/2 OT				
0034	LAR70060080		COUPLING [C] D. 13X18X80				
0035	LA70060040	LAR70060040	COUPLING [C] D. INT 51 D. EXT 59				
0037	LAR10457840		HANDLE [C] TROLLEY KS/021-040				

Pos.	Code	Previous code	Description	Notes	From:	To:	Price ()
0038	LA75300070	LAR75300070	PLATE [C] FAN D.350 N/S101 2014				
0039	LAR65265100		MICROSWITCH [C]				
0040	LAR65040530		MOTOR [C] 200/440V 0,55KW F3 4P				
0041	LA61620091	LAR61620091	SPRING [C] D.14/6,4X0,8 C70				
0042	LA65220280	LAR65220280	TERMINAL BOARD [C]				
0043	LA63060160	LAR63060160	IGNITION PANEL [C] Ts=5 Tps=1				
0044	LA58002550	LAR58002550	SLIDING BLOCK [C] M-V/120-220				
0045	LA58003140	LAR58003140	PIN [C]				
0046	LAR58003110		PIN [C]				
0047	LA58002150	LAR58002150	PIN [C]				
0048	LA65210020	LAR65210020	FUSE CARRIER [C] 5X20				
0049	LA65210050	LAR65210050	FUSE CARRIER [C] 6,3X32				
0050	LAR65240010		FAIRLEAD [C] PG 107 Z/1				
0050	SIR0101302		PRESSACAVO	UL Version (USA-CAN)			
0051	LA58002560	LAR58002560	CATCH [C] DOOR M-V/120- 220				
0052	LA63070010	LAR63070010	PRESSURE SWITCH [C]				
0053	LAR65095000	LAR65090220	MOTOR [C] VENTING				
0054	LA62090918	LAR62090918	CONNECTOR [C] D.10				
0055	LA62090908	LAR62090908	CONNECTOR [C] D.10				
0056	LA62090928	LAR62090928	CONNECTOR [C]				
0057	LA62090458	LAR62090458	CONNECTOR [C] D.10				
0058	LA62090478	LAR62090478	CONNECTOR [C] D.10				
0059	LA65110510	LAR65110510	REGULATOR [C] RED ALPHATECH. 15LT/ H				
0060	LA62090723	LAR62090723	REDUCTION [C]				
0061	LA58004010	LAR58004010	WASHER [C] D. 30/12,5				
0062	LA58002570	LAR58002570	WASHER [C] 15X3				
0063	LA69090360	LAR69090360	CASTOR [C] D. 100				
0064	LA69090350	LAR69090350	CASTOR [C] D. 100				
0065	LAR65320220		PROBE [C] K 6X80 1,5ML				
0066	LAR69150110		CAP [C]				
0067	LAR58006690		CAP [C] SERIE 2014				
0068	LA65140900		SWITCH [C]				
0069	LA65070350	LAR65070350	THERMOSTAT [C] 360Â°C				
0069	LA65070370	LAR65070370	THERMOSTAT [C] 360Â°C	UL Version (USA-CAN)			
0070	LA65070380	LAR65070380	THERMOSTAT [C] 150Â°C	UL Version (USA-CAN)			
0070	LAR65070081		THERMOSTAT [C] BOILER				

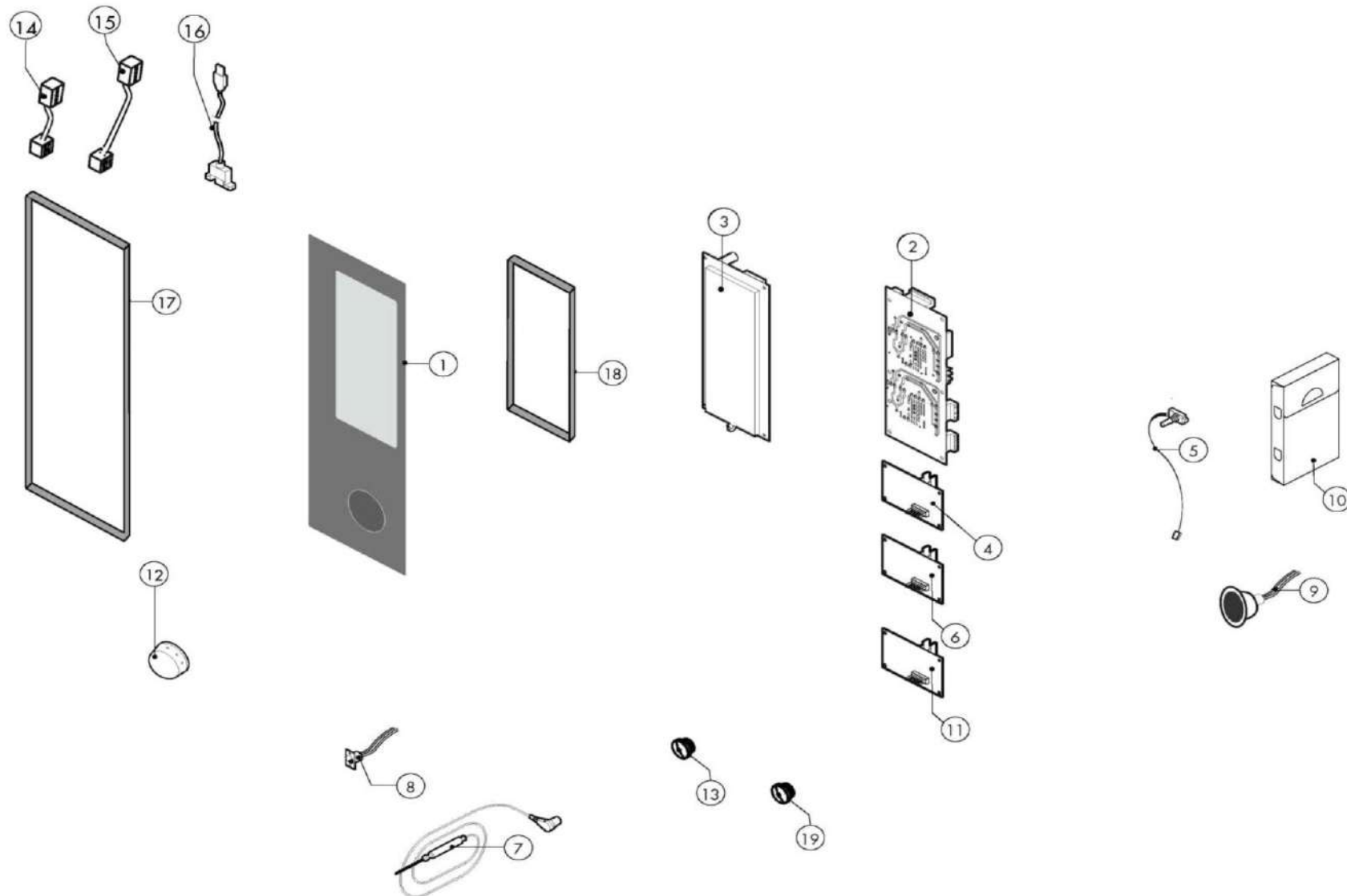
Pos.	Code	Previous code	Description	Notes	From:	To:	Price ()
0071	LA65180430	LAR65180430	TRANSFORMER [C] 40VA				
0071	LA65187110	LAR65187110	TRANSFORMER [C] 40VA	UL Version (USA-CAN)			
0074	LA80150060	LAR80150060	PIPE [C]				
0075	LA58006160	LAR58006160	NOZZLE [C] D. 0,80				
0076	LAR65110571		VALVE [C] 230V				
0077	LA65060050	LAR65060050	FAN [R] D. 120				
0078	LA75400440	LAR75400440	FAN [C] D. 350X114 50HZ				
0079	LA58004000	LAR58004000	SCREW [C] M12X1.5				
0080	LA61020562	LAR61020562	SCREW [C] M6X55 UNI 5737				
0081	LAR61260152		VITE				
0082	LAR58000430		VITE ES. 15x8 AISI 303 DF.M8				



Warning! The exploded views refer to the general model

TAV.B ed.0216

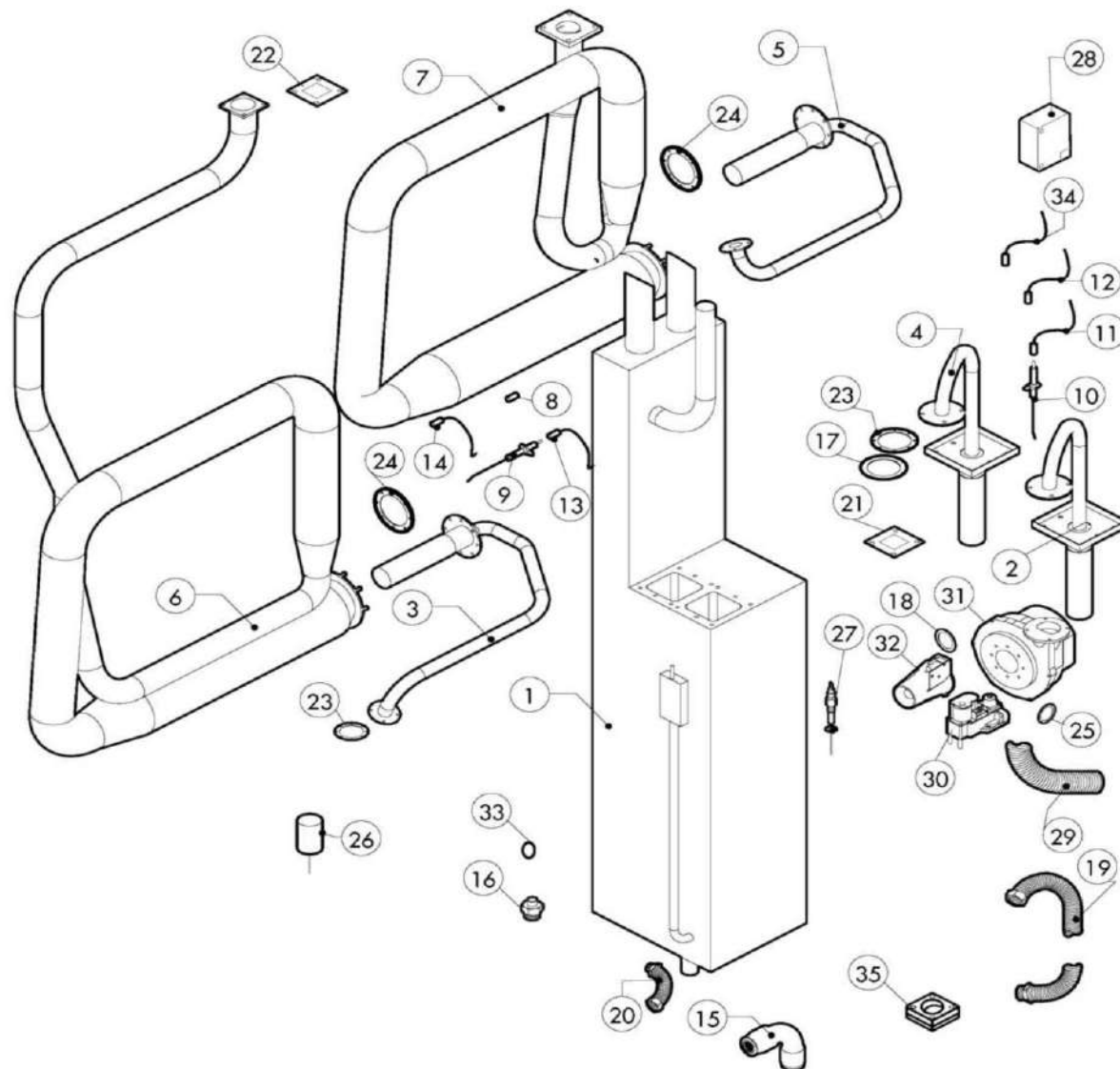
Pos.	Code	Previous code	Description	Notes	From:	To:	Price ()
00P1	LAR14201170		DOOR [C] NA/SA_202				
00P2	LAR11437930		CLOSING PLATE [C] K_202				
00P3	LAR71201870		GLASS PLATE [C]				
00P4	LAR58006861		CLOSING PLATE ROTATION PIVOT [C]				
00P5	LA58006910	LAR58006910	CLOSING PLATE ROTATION PIVOT [C]				
00P6	LAR65491250		SPRING [C]				
00P7	LA11207670	LAR11207670	ROD [C] K_201-202				
00P8	LA03200970	LAR03200970	FLANGE [C]				
00P9	LAR11205340		PIN [C] HANDLE M-V/201-202				
0P10	LAR11100312		LOCK [C]				
0P11	LAR69010710		TAPPO MAN. GRIGIA GR.6303 C/ANELLO CROM.				
0P12	LA69010820	LAR69010820	HANDLE [C] GREY				
0P13	LAR58004781		HOOK [C]				
0P14	LA58001760	LAR58001760	HINGE [C] GLASS SR2000				
0P15	LA58001770	LAR58001770	PIN [C]				
0P16	LAR58001780		CATCH [C] DOOR P2000				
0P17	LAR70050180		SPACER [C] GLASS 15x8 M4x12 A2				
0P18	LAR70044360	LAR70044362	GASKET [C] H_201-202				
0P19	LA80100910	LAR80100910	PROFILE [C]				
0P20	LAR80100100		PROFILE [C]				
0P21	LA11401440	LAR11401440	LAMP COVER [C]				
0P22	LA11401450	LAR11401450	FLANGE [C]				
0P23	LA71500150	LAR71500150	GLASS PLATE [C] P2000				
0P24	LA70044200	LAR70044200	GASKET [C]				
0P25	LA65270450	LAR65270450	LAMP HOLDER [C]				
0P26	LA65270020	LAR65270020	BULB [C] 12V 20W G4				
0P28	LA61600031	LAR61600031	GASKET [C] D.3,2 UNI 7434				
0P29	LA70044922	LAR70044920	GASKET [C] DOOR K_202 2017				
0P30	LAR14173440		PORTA COMPLETA L_202				



Warning! The exploded views refer to the general model

TAV.C ed.0216

Pos.	Code	Previous code	Description	Notes	From:	To:	Price ()
0002	LA65302480	LAR65302480	POWER BOARD [C] NABOO				
0003	LA65302701		SCHEDA DISPLAY NABOO7+FR.VERT.LEO SOM E				
0004	LA65302520	LAR65302520	EXPANSION BOAD [C] BOILER NABOO				
0005	LA65302500	LAR65302500	ENCODER [C] PUSH NABOO+CABLE L=60CM				
0006	LA65302530	LAR65302530	EXPANSION BOAD [C] WASHING SYSTEM NABOO				
0007	LA65321102	LAR65321100	PROBE [C] K 4P 6 PIN IMP.2012				
0008	LA65321360	LAR65321360	CONNECTOR [C] L1000 FEMALE TO CORE PROBE 6 PINS				
0009	LA65330060	LAR65330060	LOUDSPEAKER [C] CONTROL PANEL NA 2014				
0010	LAR86020400		VALIGETTA X SONDA AL CUORE TRASPARENTE				
0011	LA65302510	LAR65302510	EXPANSION BOAD [C] BURNER NABOO				
0012	LA69030250	LAR69030250	KNOB [C] ENCODER D.60				
0012	LA69030370	LAR69030370	MANOPOLA ENCODER D.60				
0013	LA65321310	LAR65321310	CAP [C]				
0014	LA65301740	LAR65301740	CABLE [C] SERIAL WITH PLUG RJ45 L=250				
0015	LA65301750	LAR65301750	CABLE [C] SERIAL WITH PLUG RJ45 L=600				
0016	LA65302600	LAR65302600	CABLE [C] CARD SWITCH CONNECTION USB 90Å° L=850				
0018	LAR70040040		GASKET [C] CONTROL PANEL T 2015				
0019	LA65321330	LAR65321330	CAP [C] N/S 2014				

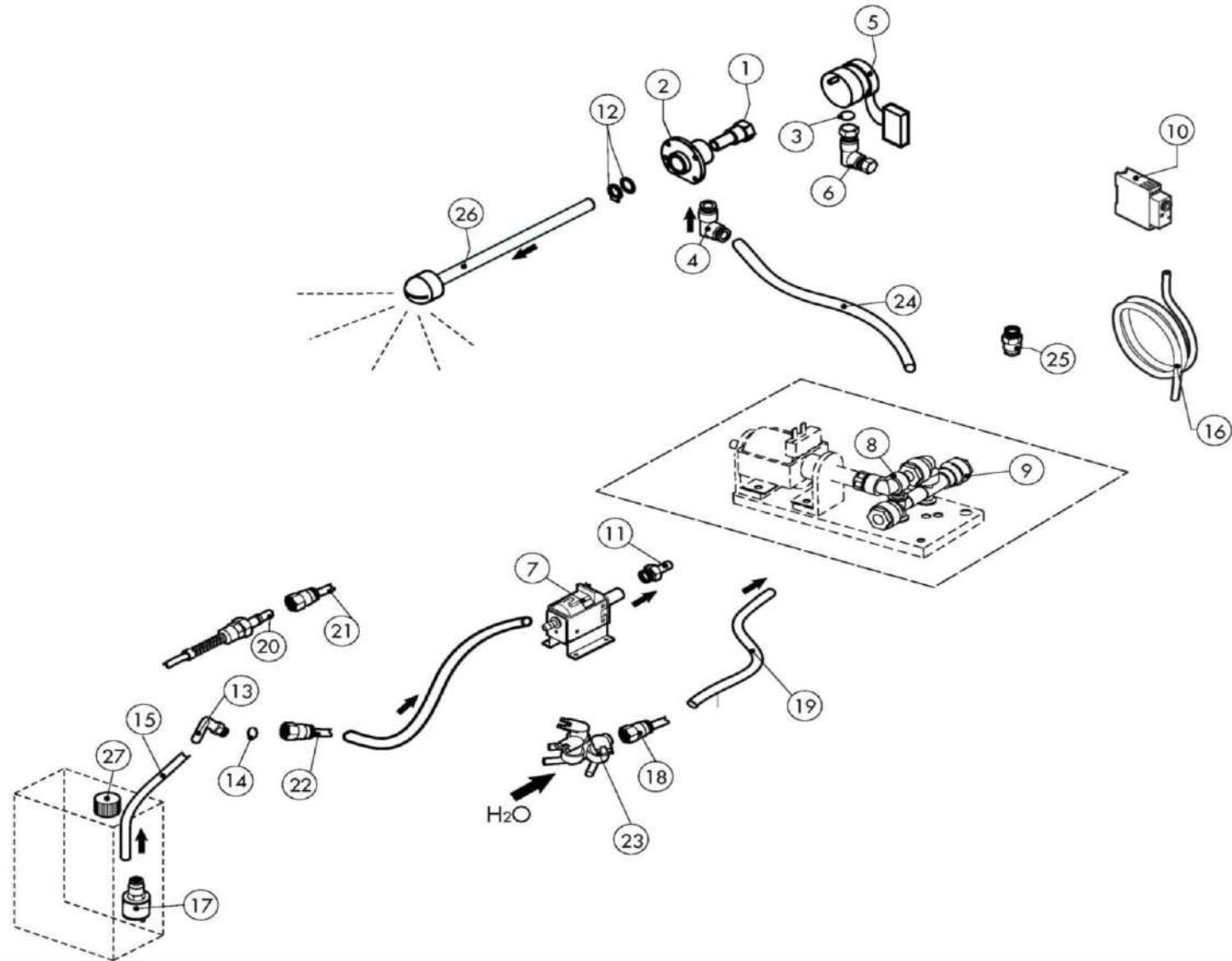


Warning! The exploded views refer to the general model

TAV.D ed.0216

Pos.	Code	Previous code	Description	Notes	From:	To:	Price ()
0001	LAR11214170		BOILER [C] KMG202				
0002	LAR11224182	LAR11224181	EXTERIOR BURNER [C] BOILER HMG202				
0003	LAR11224161		BURNER [C] COMBUSTION CHAMBER HMG202				
0004	LAR11224171		INNER BURNER [C] BOILER HMG202				
0005	LAR11224151		BURNER [C] COMBUSTION CHAMBER HMG202				
0006	LAR11224060		EXCHANGER [C] H/M-V/G 202				
0007	LAR11224050		EXCHANGER [C] H/M-V/G 202				
0009	LA63050140	LAR63050140	IGNITOR [C] A/SM Å, 9.5 KA1 Å, 3/M4 L TOTAL=139				
0010	LAR63050130		IGNITOR [C] A/SM Å, 9.5 KA1 Å, 3 145/95 90 Å°06				
0011	LAR66605811		CABLE [C] L850 ING/DET CHAMBER-BOILER 2 CABLES				
0012	LAR66605921		CABLE [C] L400 IGNITION CHAMBER-BOILER 2 CABLES				
0013	LA66605150	LAR66605150	CABLE [C] 90 Å° D.6,3 L=500				
0014	LA66605130	LAR66605130	CABLE [C] 90 Å° D.6,3 L=950				
0015	LAR62280078		CURVE [C] HTB DN50 87,5 Å°				
0016	LA62060223	LAR62060223	NUT [C] D. 6				
0017	LA11430340	LAR11430340	ORIFICE [C] FAN/BURNER D.22				
0018	LA58004200	LAR58004200	ORIFICE [C] D4.5 MM				
0019	LAR62180152		INOX FLEXIBLE PIPE [C] L. 100CM				
0020	LA62180132	LAR62180132	INOX FLEXIBLE PIPE [C] L. 50CM				
0021	LA63140060	LAR63140060	GASKET [C] BURNER 18-27 KW				
0022	LA63140010	LAR63140010	GASKET [C] BOILER VM-G/061				
0023	LA63140050	LAR63140050	GASKET [C]				
0024	LA63140080	LAR63140080	GASKET [C] BURNER De.126 18-27kW				
0025	LA70050090	LAR70050090	GASKET [C]				
0026	LA70060121	LAR70060121	COUPLING [C] D. EXT 45.4 D. INT 35				
0027	LA65320010	LAR65320010	PROBE [C] LEVEL TL 10/B				
0028	LA65180270	LAR65180270	TRANSFORMER [C] TRK2-30PVD				
0029	LAR77700056		PIPE [C] D. 30				
0030	LAR63020170		VALVE [C] GAS				
0031	LA65060360	LAR65060360	FAN [C] RG128/1300				
0032	LAR63120040		VENTURI X VALV.GAS.BRUC.PREMIX45900444-0 VENTURI X VALV.GAS.BRUC.PREMIX45900444-0				

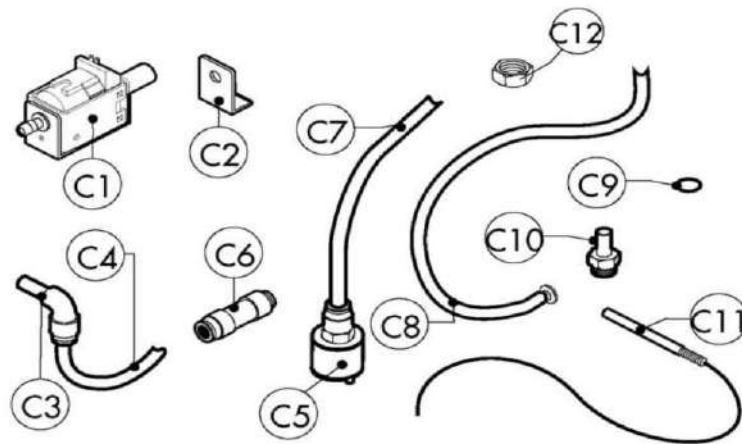
Pos.	Code	Previous code	Description	Notes	From:	To:	Price ()
0033	LA62070023	LAR62070023	BICONE [C] D. 6				
0034	LAR66605801		CABLE [C] L700 IGNITION CHAMBER- BOILER 2 CABLES				
0035	LAR63080040		FLANGE [C]				



Warning! The exploded views refer to the general model

TAV.D ed.0216

Pos.	Code	Previous code	Description	Notes	From:	To:	Price ()
0001	LAR58007000		PIN [C]				
0002	LAR58007020		FLANGE [C]				
0003	LA70010080	LAR70010080	GASKET [C] OR 14x2 VITON DIN 981				
0004	LA62090663	LAR62090663	CONNECTOR [C] 10X1/4				
0005	LAR65090250		GEARMOTOR [C]				
0006	LA62090633	LAR62090633	CONNECTOR [C] 10/10				
0007	LAR65110600		PUMP [C]				
0008	LA62090498	LAR62090498	CONNECTOR [C] D.8				
0009	LA62090888	LAR62090888	MANIFOLD [C] 3WAYS-2D.10+1D.8+3 NO RETURN CONTROL				
0010	LA65090480	LAR65090480	TIMER [C]				
0011	LA62090608	LAR62090608	END SIDE PIPE [C] 8x1/8				
0012	LAR70045120		GASKET [C]				
0013	LA62090678	LAR62090678	ELBOW [C] Å, 8-Å, 8				
0014	LAR70010050		GASKET [C] 7,60X2,62				
0015	LA80150020	LAR80150020	PIPE [C]				
0016	LA80150040	LAR70070080	PIPE [C]				
0017	LA65110650	LAR65110650	VALVE [C]				
0018	LA62020118	LAR62020118	NIPPLE [C] 1/4				
0019	LA80120060	LAR80120060	PIPE [C]				
0020	LA62090482	LAR62090482	CONNECTOR [C]				
0021	LAR62090638		CONNECTOR [C]				
0023	LAR65110280		SOLENOID VALVE [C] 220V 50HZ 3 WAYS				
0024	LA80150000	LAR80150000	PIPE [C]				
0025	LA62090688	LAR62090688	CONNECTOR [C]				
0026	LAR58007030		WASHING HEAD [C] L=165 (2/1)				
0027	LA58005060	LAR58005060	CAP [C]				



Warning! The exploded views refer to the general model

TAV.E ed.0216

Pos.	Code	Previous code	Description	Notes	From:	To:	Price ()
00C1	LAR65110620		PUMP [C] 230V 50HZ				
00C3	LA62090808	LAR62090808	ELBOW [C] Å,6-Å,6				
00C4	LA80150050	LAR80150050	PIPE [C]				
00C5	LA65110650	LAR65110650	VALVE [C]				
00C6	LA62090798	LAR62090798	REDUCTION [C] Å,8-Å,6				
00C7	LA80150020	LAR80150020	PIPE [C]				
00C8	LA11429630	LAR11429630	PIPE [C]				
00C9	LA62070023	LAR62070023	BICONE [C] D. 6				
0C10	LA62060223	LAR62060223	NUT [C] D. 6				
0C11	LA65324550	LAR65324550	PROBE [C] LEVEL CALOUT TL 10/B EL=20 TF=15				
0C12	LAR62060193		NUT [C] 1/2				